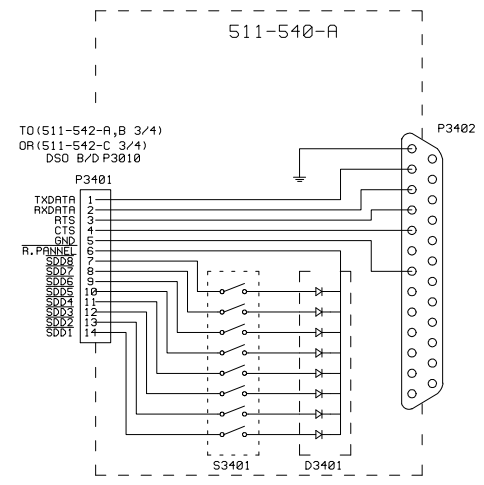
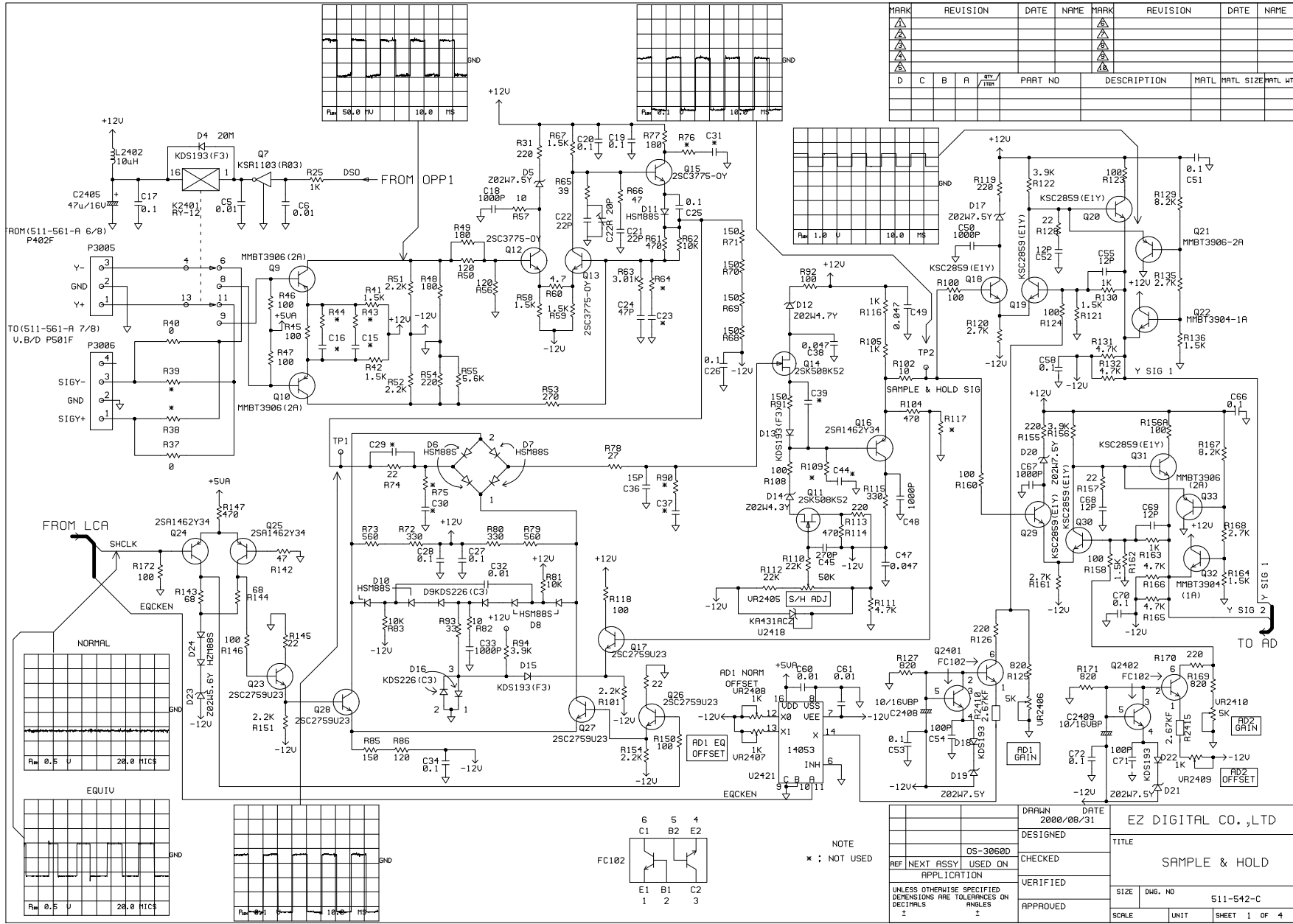


MARK	REVISION	DATE	NAME	MARK	REVISION	DATE	NAME
△				△			
△				△			
△				△			
△				△			

D	C	B	A	REV	PART NO	DESCRIPTION	MATL	MATL SIZE	MATL WT



		DRAWN	DATE	EZ DIGITAL CO.,LTD	
		OS-3060D	2000/08/31	DESIGNED	TITLE
		OS-3000D		CHECKED	RS-232C
REF	NEXT ASSY	USED ON	APPROVED	VERIFIED	SIZE DWG. NO
					S11-540,1-A
UNLESS OTHERWISE SPECIFIED DIMENSIONS ARE TOLERANCES ON DECIMALS				APPROVED	SCALE UNIT SHEET
				+	1 OF 1



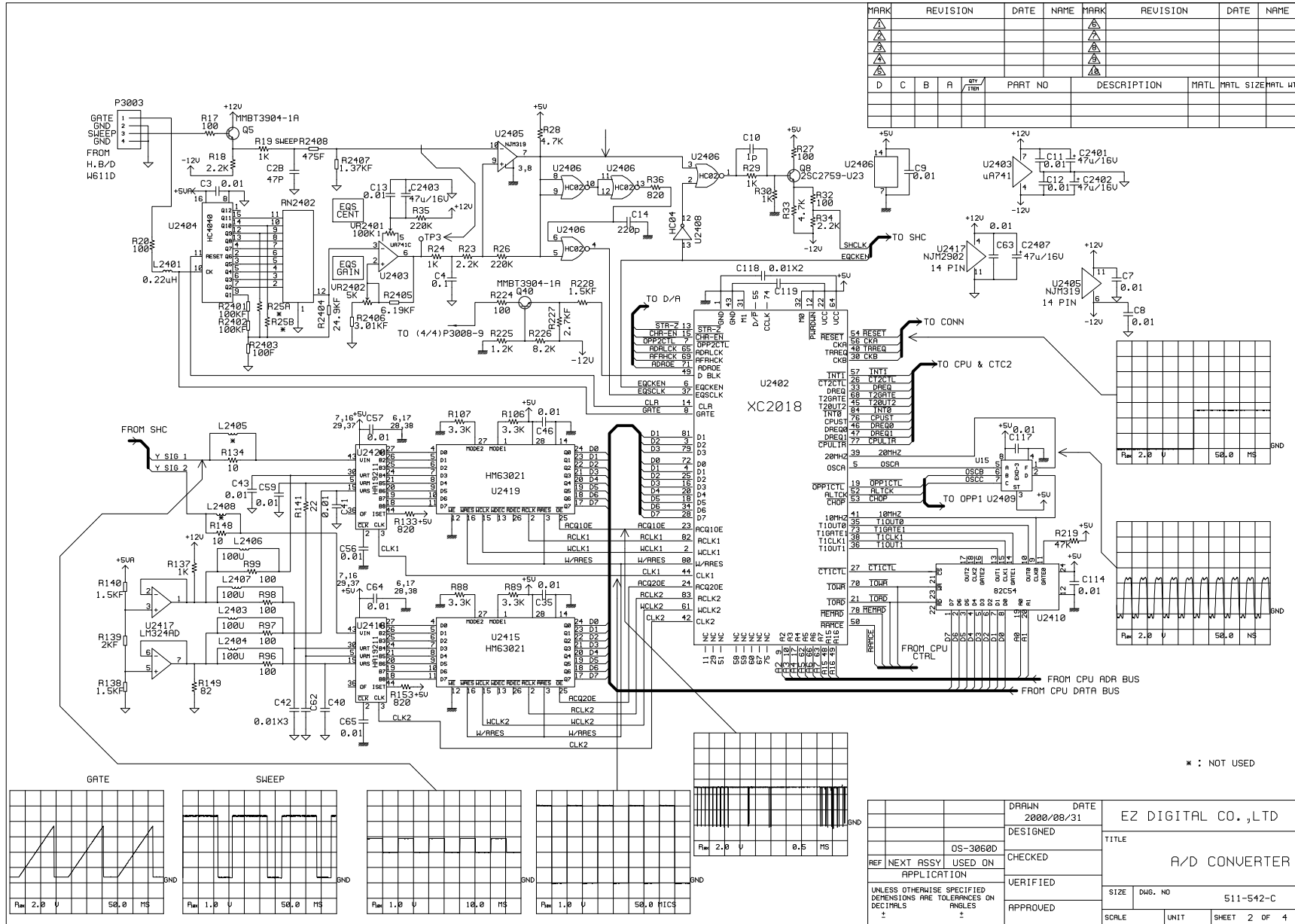
MARK	REVISION	DATE	NAME	MARK	REVISION	DATE	NAME
Δ				Δ			
Δ				Δ			
Δ				Δ			
Δ				Δ			
D	C	B	A	REV	PART NO	DESCRIPTION	MATL
							MATL SIZE
							MATL UT

DRAWN	DATE	2000/08/31	EZ DIGITAL CO., LTD
DESIGNED	TITLE	SAMPLE & HOLD	
CHECKED	SIZE	DAWG. NO	S11-542-C
APPROVED	SCALE	UNIT	SHEET 1 OF 4

NOTE
* ; NOT USED

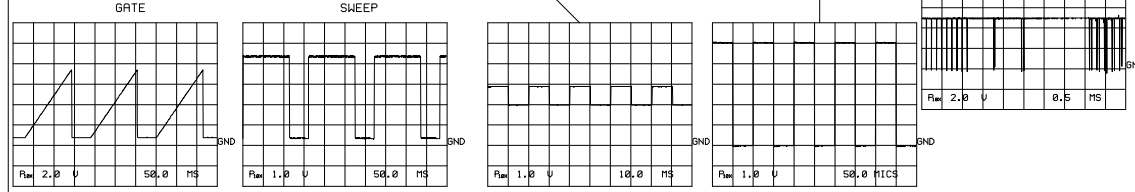
FC102

6	5	4
C1	B2	E2
E1	B1	C2
1	2	3



MARK	REVISION	DATE	NAME	MARK	REVISION	DATE	NAME
△				△			
△				△			
△				△			
△				△			

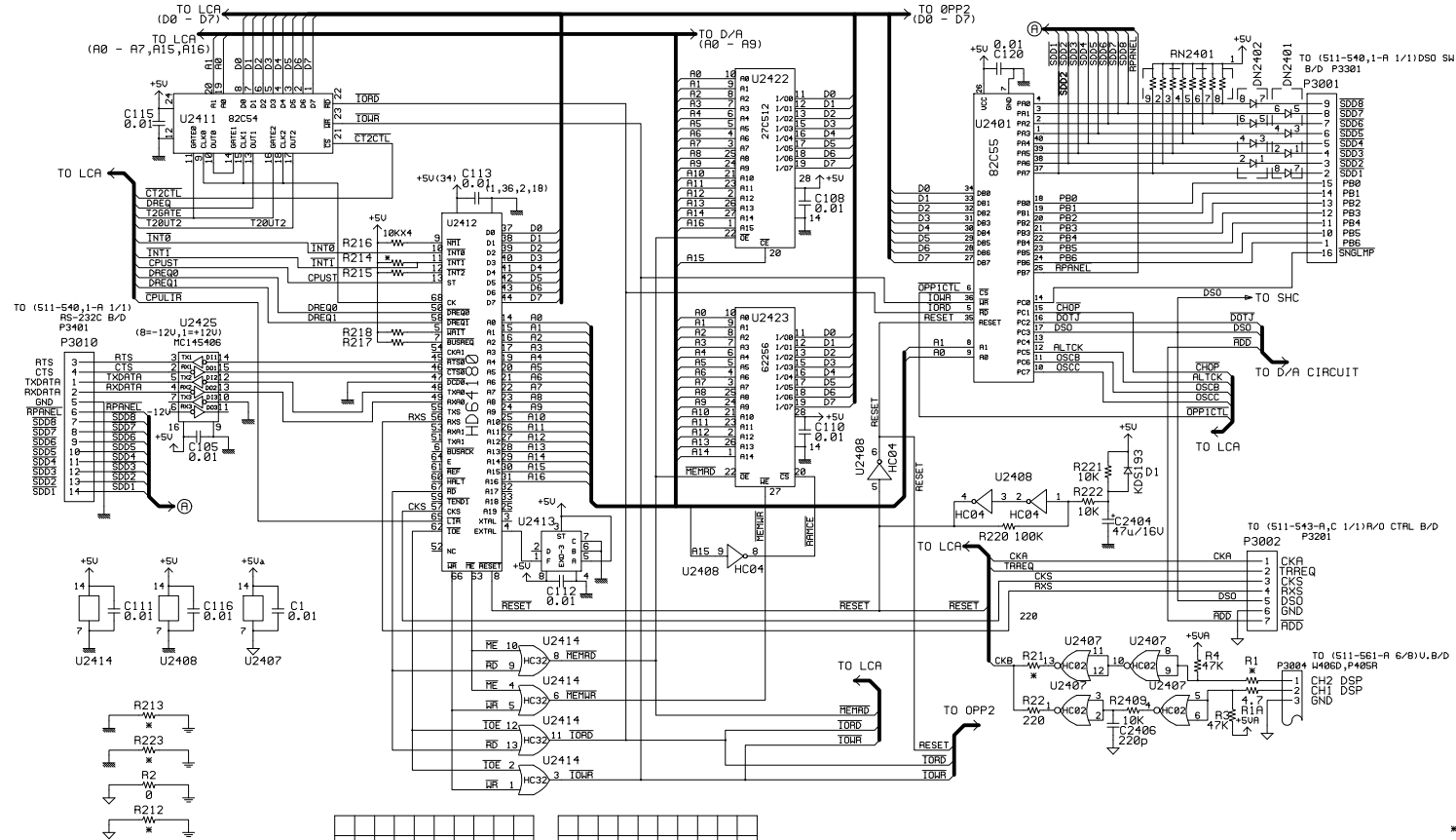
D	C	B	A	REV	PART NO	DESCRIPTION	MATL	MATL SIZE	MATL WT



* : NOT USED

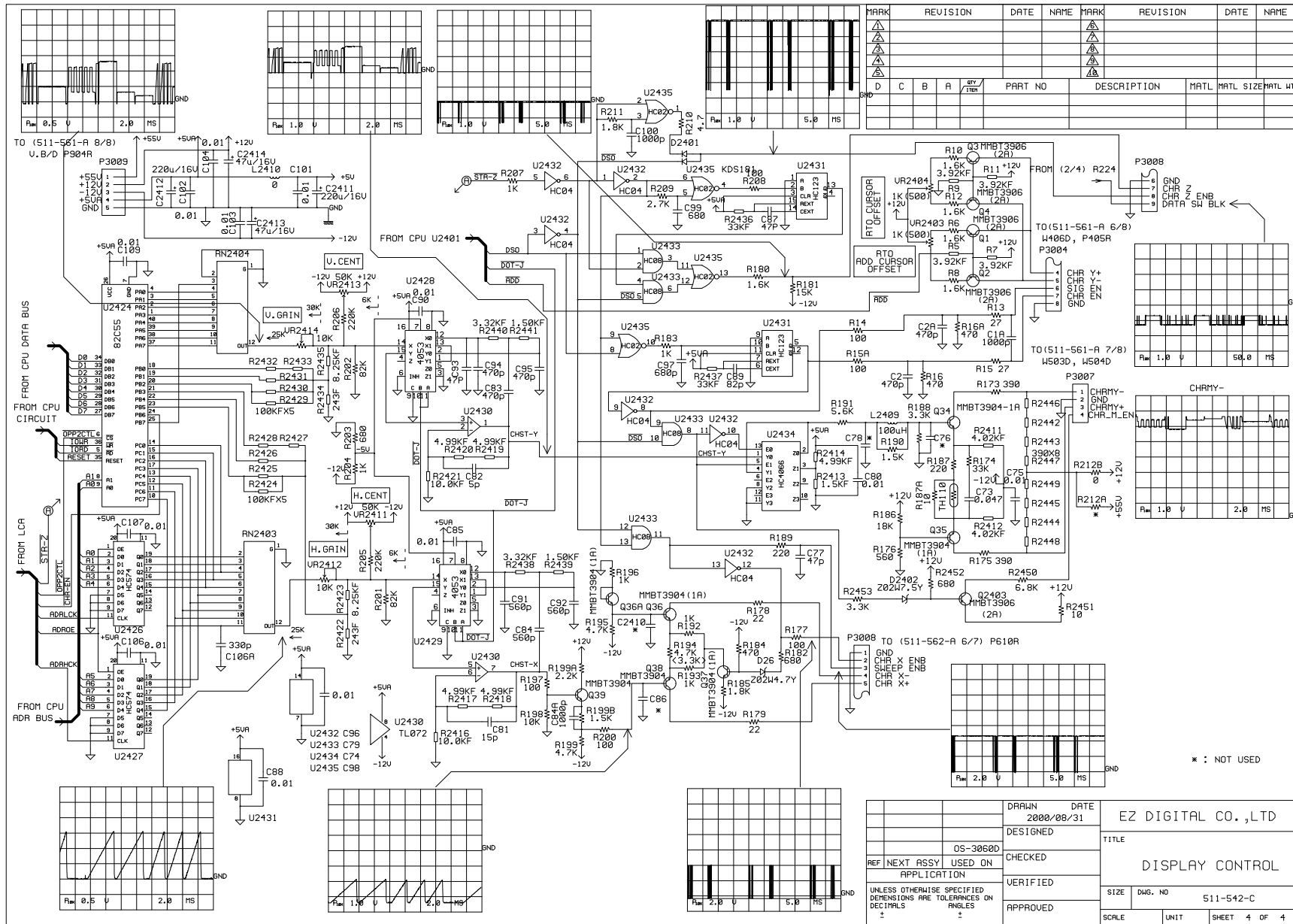
DRAWN	DATE	EZ DIGITAL CO.,LTD
DESIGNED	2000/08/31	TITLE
OS-3060D	CHECKED	A/D CONVERTER
APPLICATION	USED ON	SIZE DWG. NO
UNLESS OTHERWISE SPECIFIED DIMENSIONS ARE TOLERANCES ON DECIMALS	VERIFIED	511-542-C
APPROVED	APPROVED	SCALE UNIT SHEET 2 OF 4

MARK	REVISION	DATE	NAME	MARK	REVISION	DATE	NAME
△				△			
△				△			
△				△			
△				△			
D	C	B	A	REV	PART NO	DESCRIPTION	MATL MATL SIZE MATL WT



* : NOT USED

REF	NEXT ASSY	CHECKED	USED ON	APPLICATION	VERIFIED	APPROVED
UNLESS OTHERWISE SPECIFIED DIMENSIONS ARE TOLERANCES ON DECIMALS				DRAWN DATE 2000/08/31		
DESIGNED				EZ DIGITAL CO.,LTD		
TITLE				CPU CIRCUIT		
SIZE		DWG. NO		S11-542-C		
SCALE		UNIT		SHEET 3 OF 4		

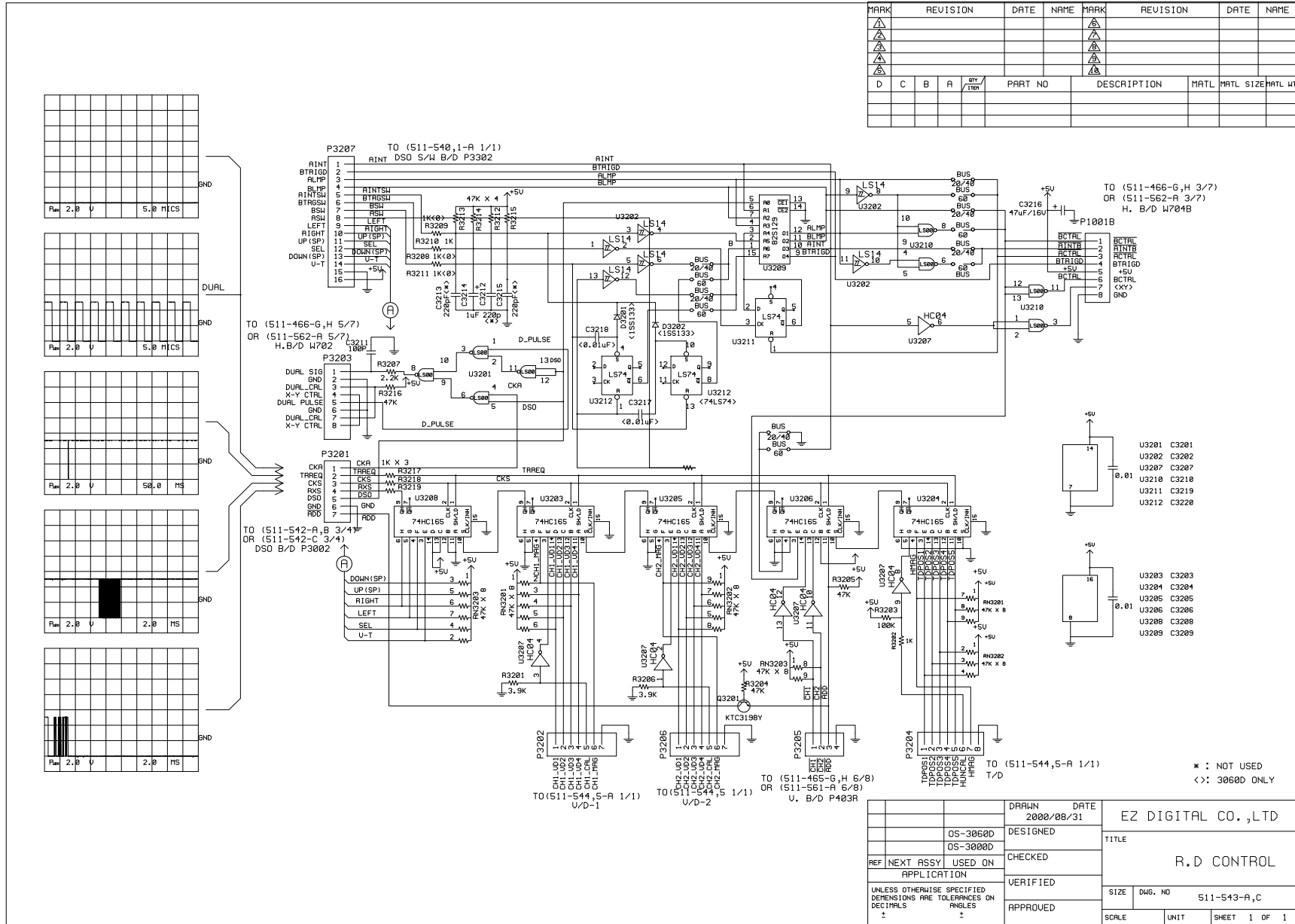


REVISION	DATE	NAME	MARK	REVISION	DATE	NAME
D	C	B	A			

PART NO	DESCRIPTION	MATL	MATL SIZE	MATL WT

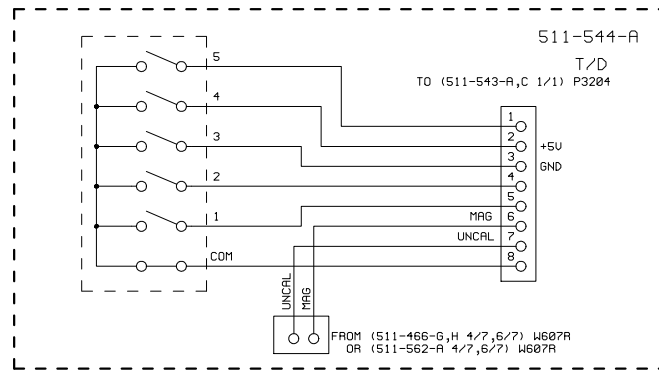
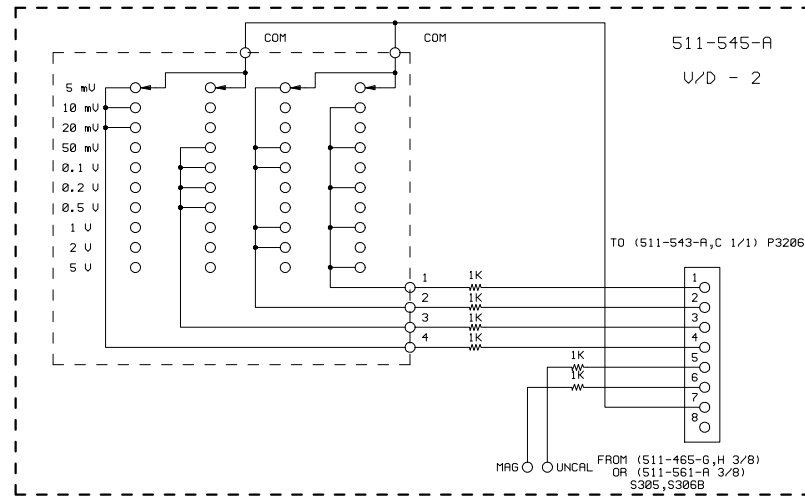
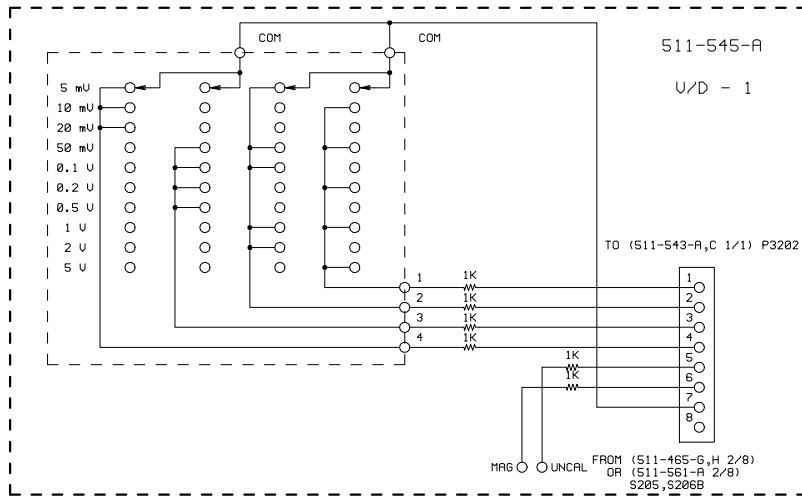
DRAWN DATE		EZ DIGITAL CO.,LTD	
DESIGNED		TITLE	
OS-3060D		DISPLAY CONTROL	
CHECKED		SIZE	
APPLICATION		Dwg. No	
VERIFIED		S11-542-C	
APPROVED		SCALE	
		UNIT	
		SHEET 4 OF 4	

MARK	REVISION	DATE	NAME	MARK	REVISION	DATE	NAME
△				△			
△				△			
△				△			
△				△			
D	C	B	A	REV 1/1	PART NO	DESCRIPTION	MATL MATL SIZE MATL WT



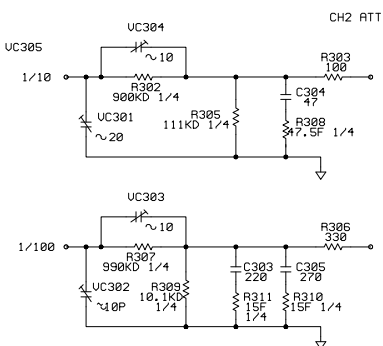
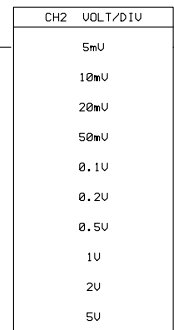
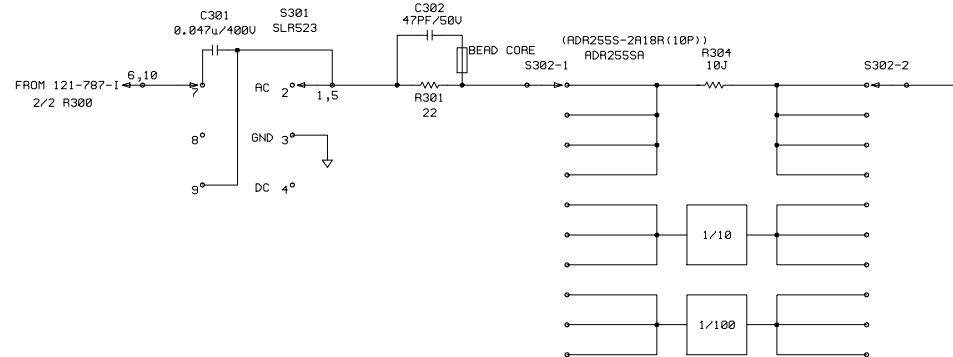
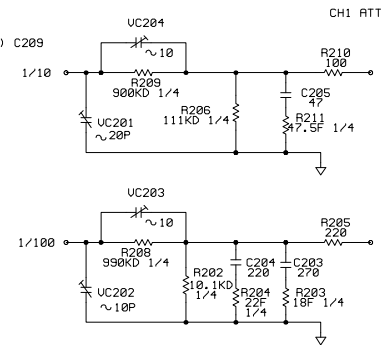
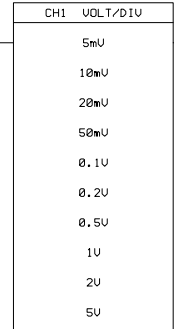
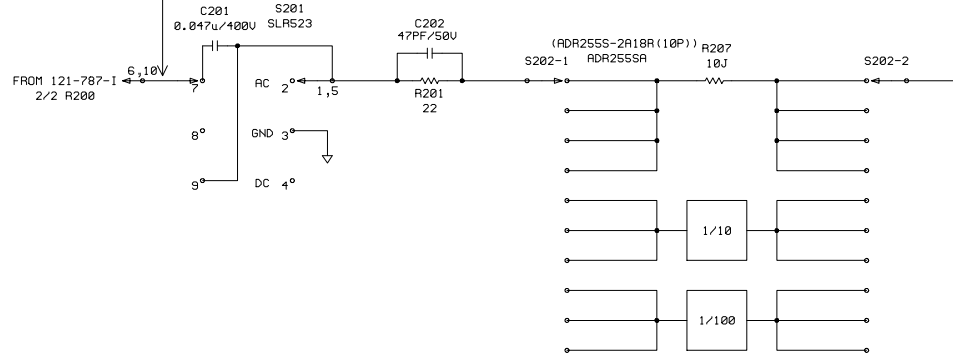
	DRAWN	DATE	EZ DIGITAL CO., LTD	
	DESIGNED	2000/08/31	TITLE	
	CHECKED		R.D CONTROL	
REF	NEXT ASSY	USED	ON	
APPLICATION			VERIFIED	SIZE
UNLESS OTHERWISE SPECIFIED DIMENSIONS ARE TOLERANCES ON DECIMALS			APPROVED	DWG. NO
				511-543-A, C
			SCALE	UNIT
				SHEET 1 OF 1

MARK	REVISION	DATE	NAME	MARK	REVISION	DATE	NAME
△				△			
△				△			
△				△			
△				△			
△				△			
D	C	B	A	REV /100	PART NO	DESCRIPTION	MATL MTRL SIZE MTRL WT



		DRAWN	DATE	EZ DIGITAL CO.,LTD	
			2000/08/31	DESIGNED	
	OS-3060D	DESIGNED		TITLE	
	OS-3000D	CHECKED		U/D, T/D SWITCH	
REF	NEXT ASSY	USED ON		APPLICATION	
UNLESS OTHERWISE SPECIFIED DIMENSIONS ARE TOLERANCES ON DECIMALS		VERIFIED		SIZE	DWG. NO
±		APPROVED		S11-544,5-A	
±		SCALE	UNIT	SHEET	1 OF 1

Rev	28.0	HU	10.0	MS
-----	------	----	------	----

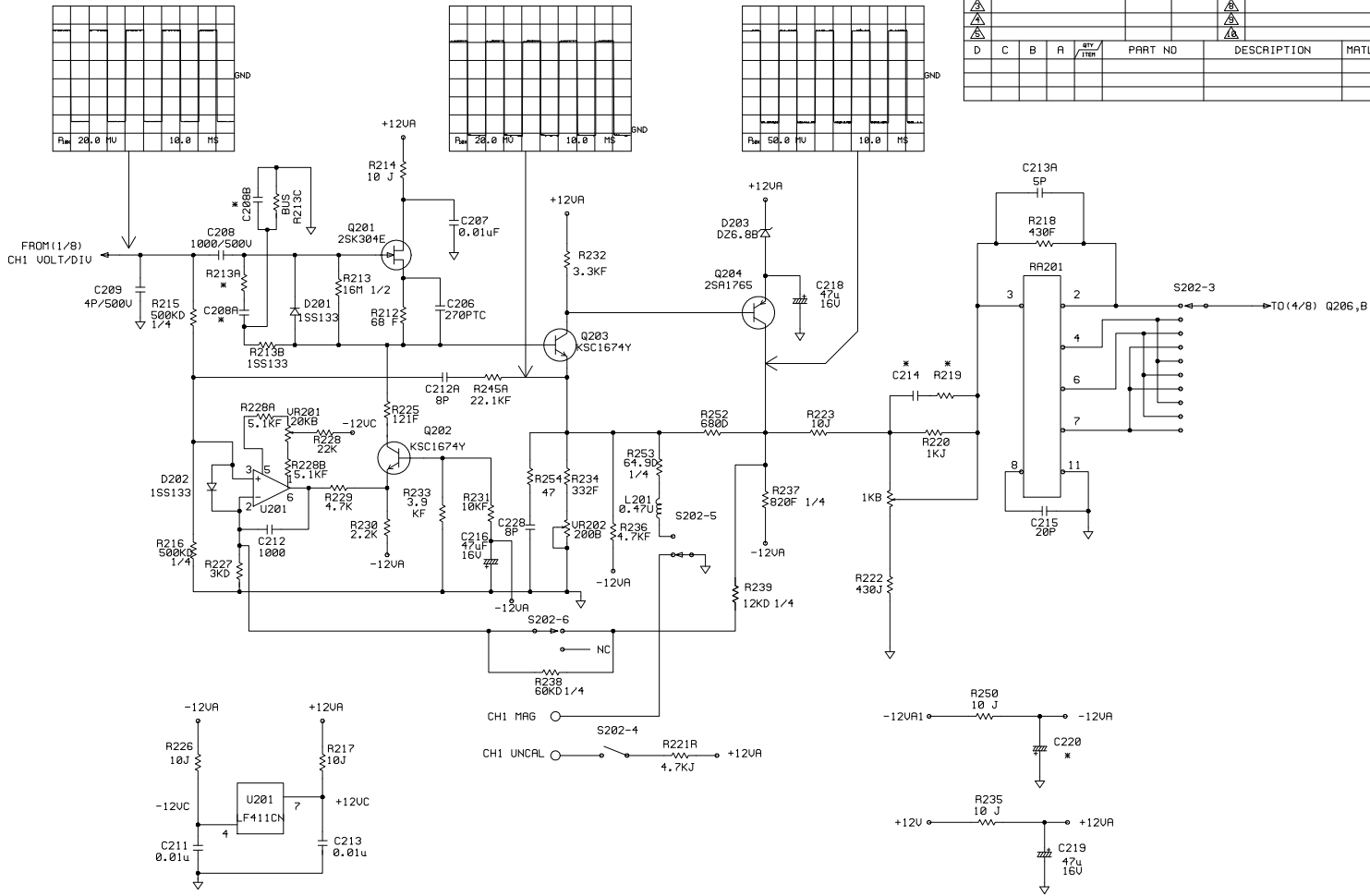


MARK	REVISION	DATE	NAME	MARK	REVISION	DATE	NAME
▲				▲			
▲				▲			
▲				▲			
▲				▲			
▲				▲			

D	C	B	A	ATT	UNIT	PART NO	DESCRIPTION	MATL	MATL SIZE	MATL WT

<NOTE> *:NOT USED

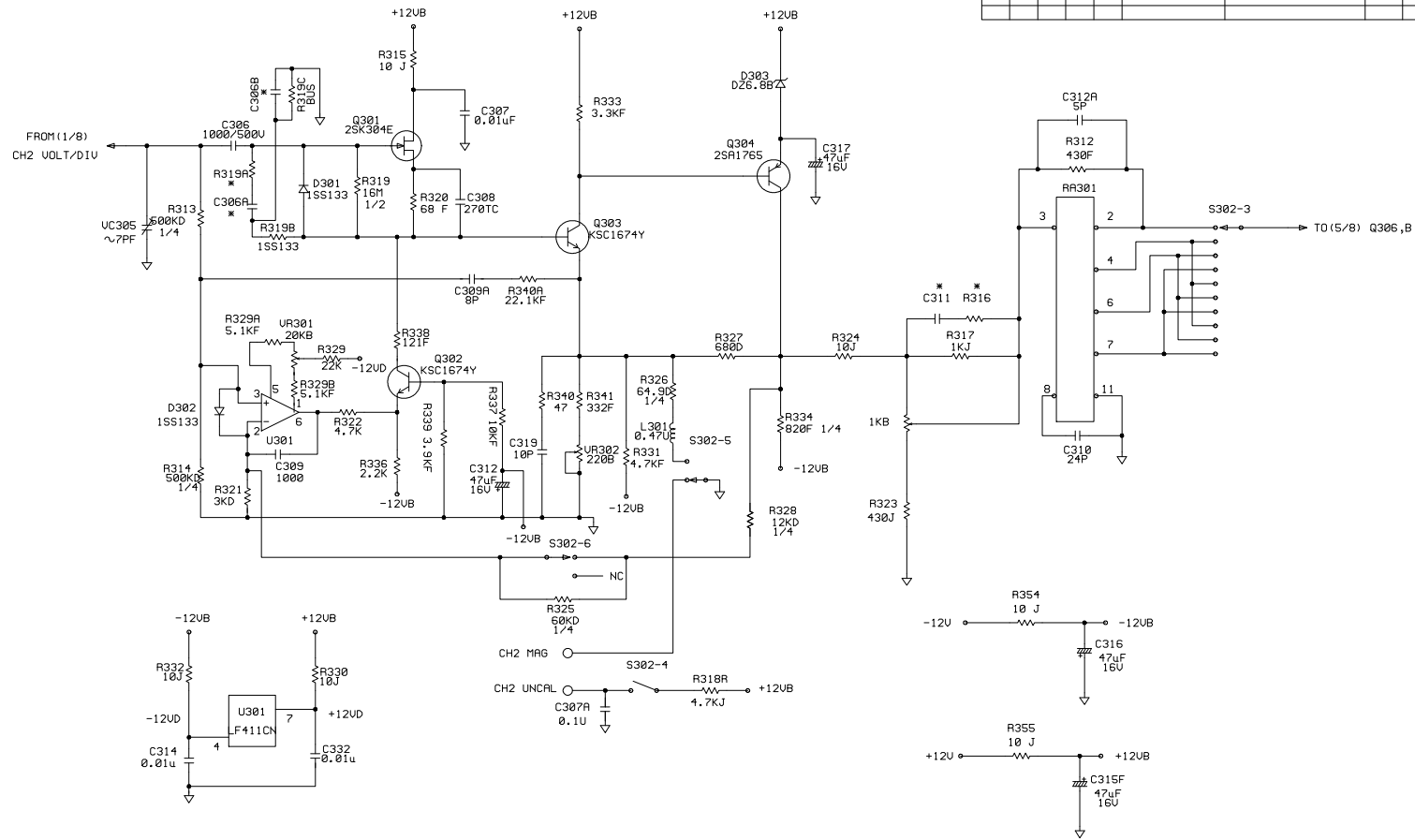
DRAWN	DATE	EZ DIGITAL CO.,LTD			
	2000/08/31				
DESIGNED					
OS-3060D	CHECKED	ATTENUATOR			
REF NEXT ASSY	USED ON				
APPLICATION					
VERIFIED					
UNLESS OTHERWISE SPECIFIED DIMENSIONS ARE TOLERANCES ON DECIMALS		SIZE	DWG. NO	511-561-A	
		SCALE	UNIT		
APPROVED		SHEET		1 OF 8	



MARK	REVISION	DATE	NAME	MARK	REVISION	DATE	NAME		
△				△					
△				△					
△				△					
△				△					
D	C	B	A	REV	PART NO	DESCRIPTION	MATL	MATL SIZE	MATL UT

<NOTE> *:NOT USED

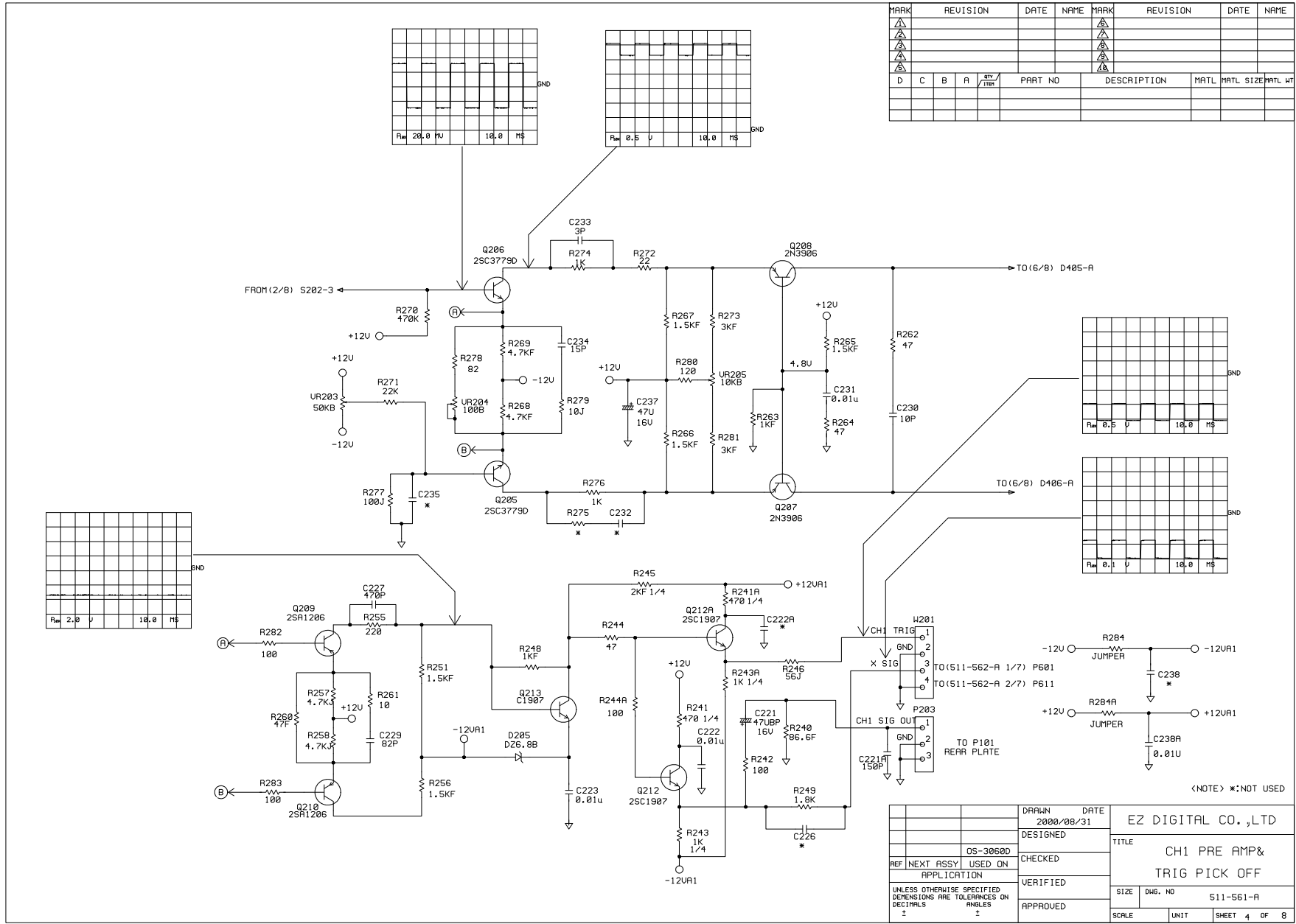
		DRAWN	DATE	EZ DIGITAL CO.,LTD	
		DESIGNED	2000/08/31	TITLE	
		OS-3060D		CHECKED	
REF	NEXT ASSY	USED ON		APPLICATION	
UNLESS OTHERWISE SPECIFIED DIMENSIONS ARE TOLERANCES ON DECIMALS			VERIFIED	SIZE	DWG. NO
			APPROVED	511-561-A	
			SCALE	UNIT	SHEET 2 OF 8



MARK	REVISION	DATE	NAME	MARK	REVISION	DATE	NAME		
△				△					
△				△					
△				△					
△				△					
D	C	B	A	REV	PART NO	DESCRIPTION	MATL	MATL SIZE	MATL LT

<NOTE> *:NOT USED

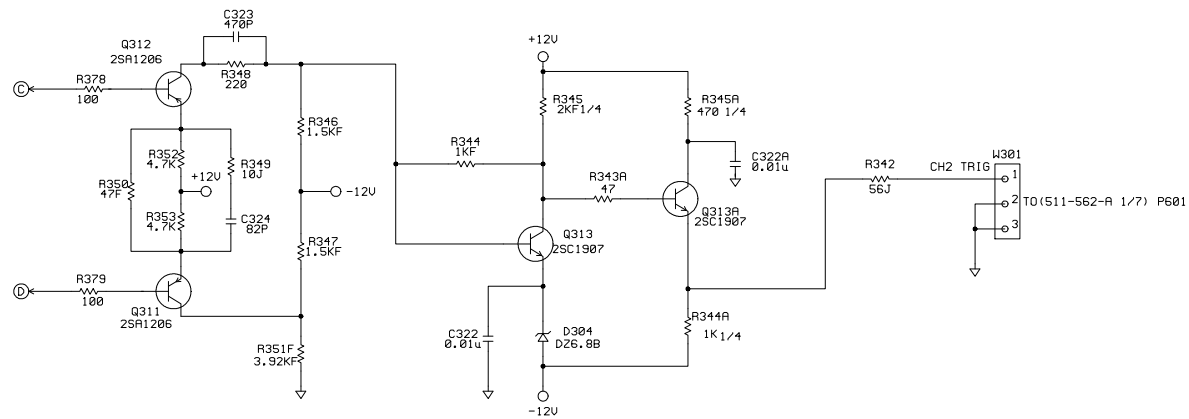
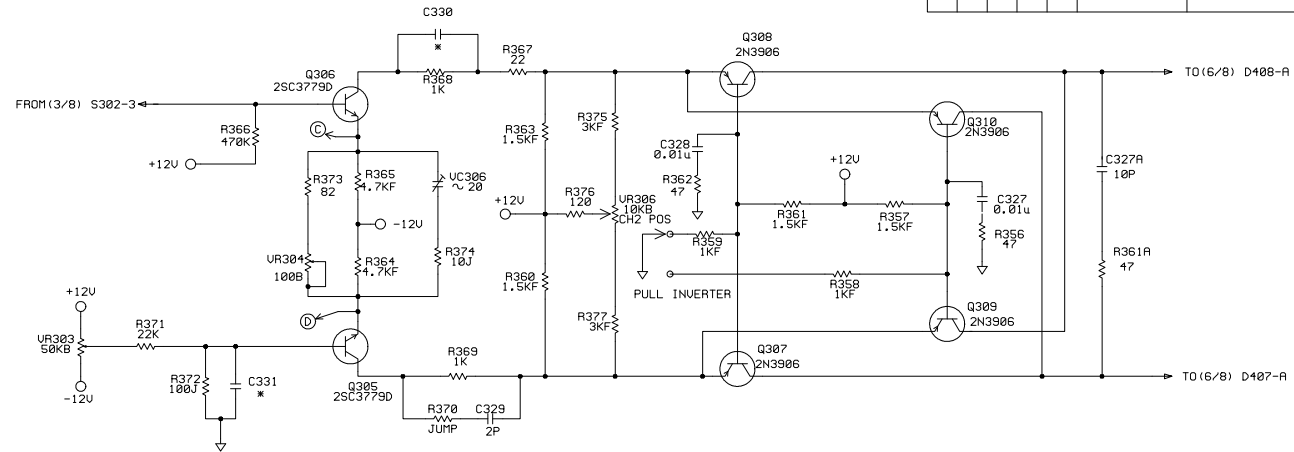
	DRAWN	DATE	EZ DIGITAL CO.,LTD	
	DESIGNED	2000/08/31	TITLE	
	OS-3060D	CHECKED	CH2 INPUT AMPLIFIER	
REF	NEXT ASSY	USED ON	APPROVED	VERIFIED
UNLESS OTHERWISE SPECIFIED DIMENSIONS ARE TOLERANCES ON DECIMALS			SIZE	DWG. NO
±	±	±	S11-S61-A	SCALE
			UNIT	SHEET 3 OF 8



MARK	REVISION	DATE	NAME	MARK	REVISION	DATE	NAME
△				△			
△				△			
△				△			
△				△			
D	C	B	A	REV	PART NO	DESCRIPTION	MATL
				1/1			

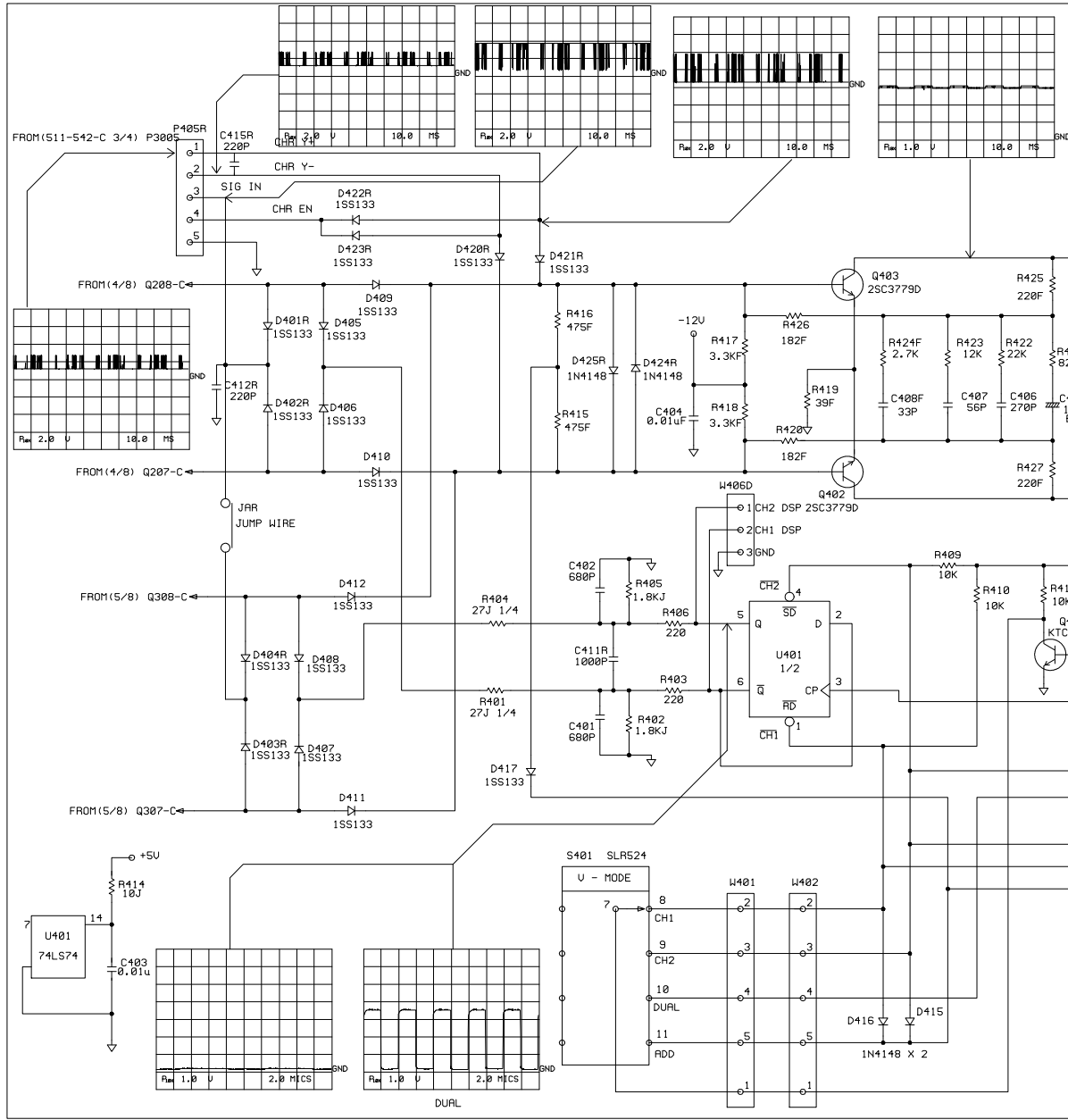
DRAWN	DATE	EZ DIGITAL CO., LTD	
DESIGNED	2000/08/31	TITLE	
OS-3060D	CHECKED	CH1 PRE AMP &	
REF NEXT ASSY	USED ON	TRIG PICK OFF	
APPLICATION		SIZE	DWG. NO
UNLESS OTHERWISE SPECIFIED DIMENSIONS ARE TOLERANCES ON DECIMALS		APPROVED	511-561-A
		SCALE	UNIT
		SHEET	4 OF 8

MARK	REVISION	DATE	NAME	MARK	REVISION	DATE	NAME		
△				△					
△				△					
△				△					
△				△					
D	C	B	A	REV	PART NO	DESCRIPTION	MATL	MATL SIZE	MATL LT



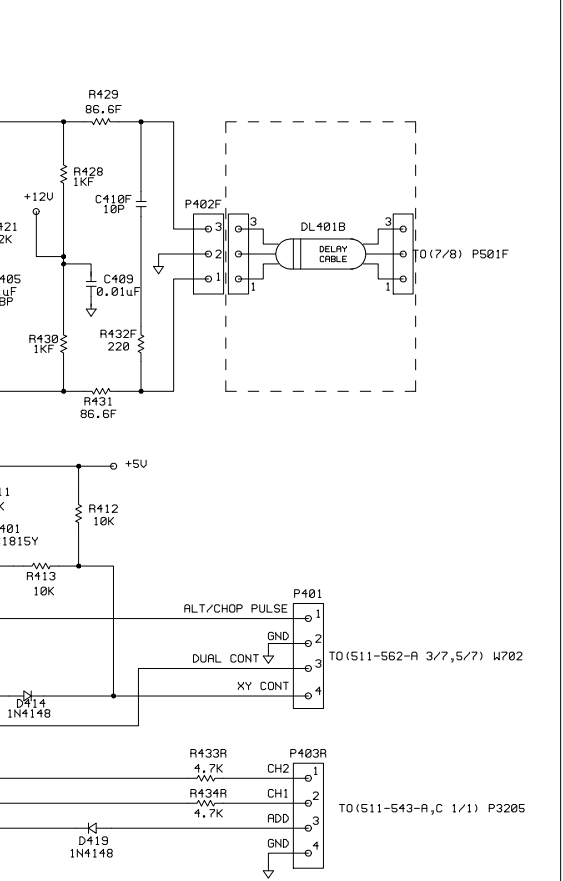
<NOTE> *; NOT USED

	DRAWN	DATE	EZ DIGITAL CO.,LTD	
		2000/08/31		
	DESIGNED		TITLE	
	OS-3060D		CH2 PRE AMP & TRIG PICK OFF	
REF	NEXT ASSY	USED ON	CHECKED	
APPLICATION			VERIFIED	
UNLESS OTHERWISE SPECIFIED DIMENSIONS ARE TOLERANCES ON DECIMALS			APPROVED	
±		±	SIZE	DWG. NO
				511-561-A
			SCALE	UNIT
				SHEET 5 OF 8



MARK	REVISION	DATE	NAME	MARK	REVISION	DATE	NAME
▲				▲			
▲				▲			
▲				▲			
▲				▲			

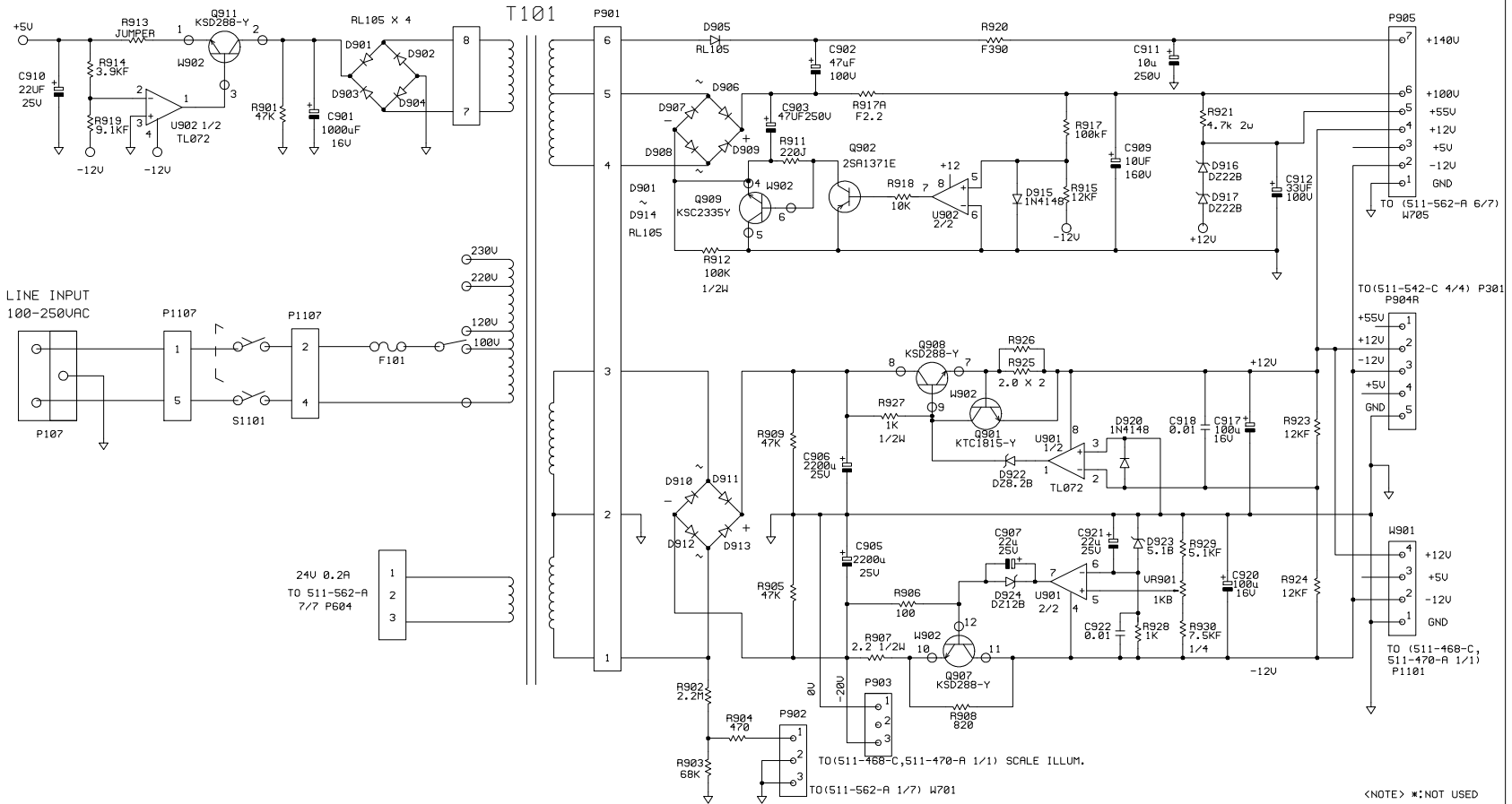
D	C	B	A	REV	PART NO	DESCRIPTION	MATL	MATL SIZE	MATL WT



(NOTE) *:NOT USED

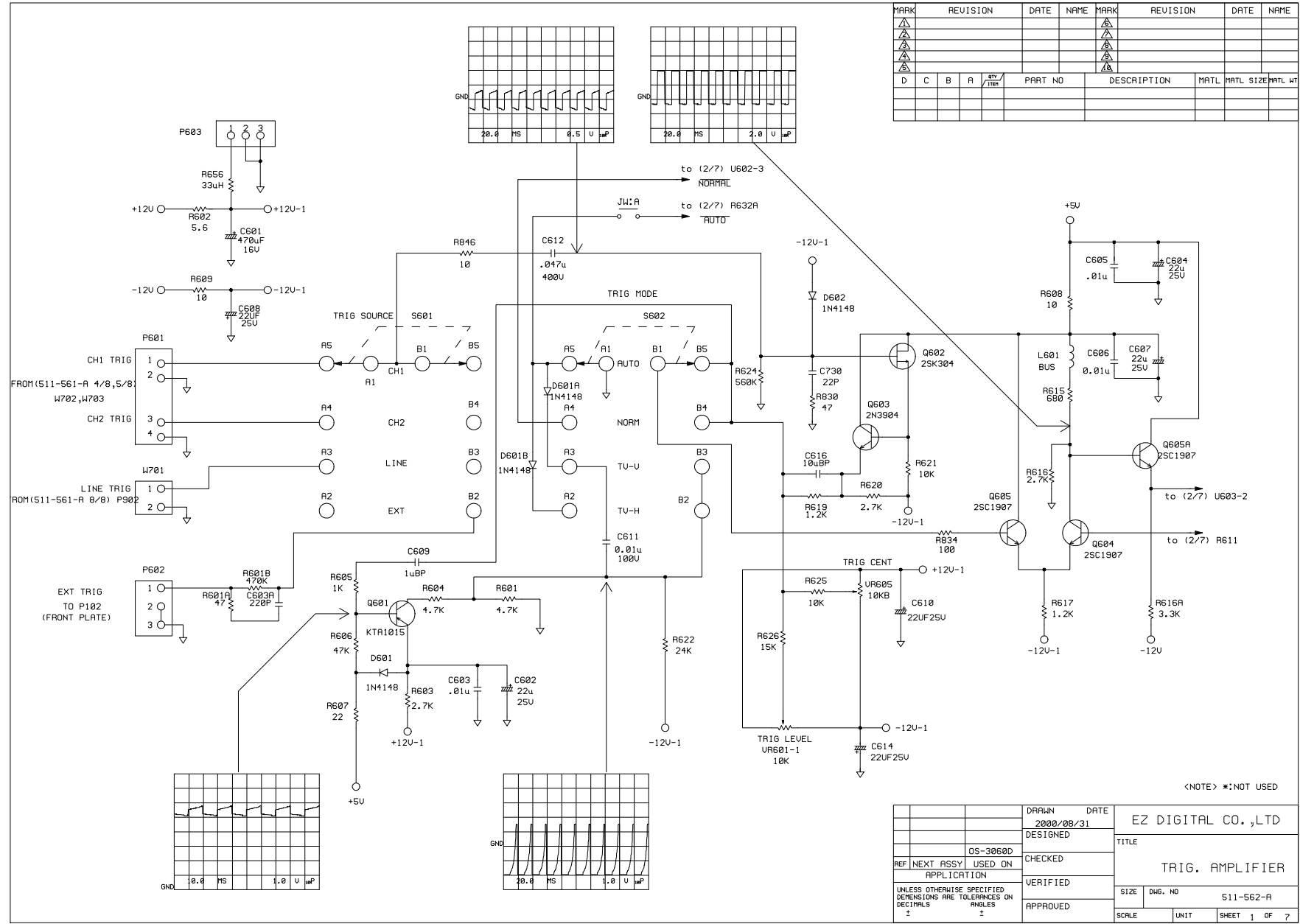
DRAWN		DATE		EZ DIGITAL CO.,LTD	
		2000/08/31		TITLE	
		DESIGNED		VERTICAL CONTROL	
REF	NEXT ASSY	USED	ON		
APPLICATION					
UNLESS OTHERWISE SPECIFIED					
DIMENSIONS ARE TOLERANCES ON					
DECIMALS					
APPROVED					
SCALE		UNIT		SHEET 6 OF 8	

MARK	REVISION	DATE	NAME	MARK	REVISION	DATE	NAME		
▲				▲					
▲				▲					
▲				▲					
▲				▲					
D	C	B	A	REV	PART NO	DESCRIPTION	MATL	MATL SIZE	MATL UT



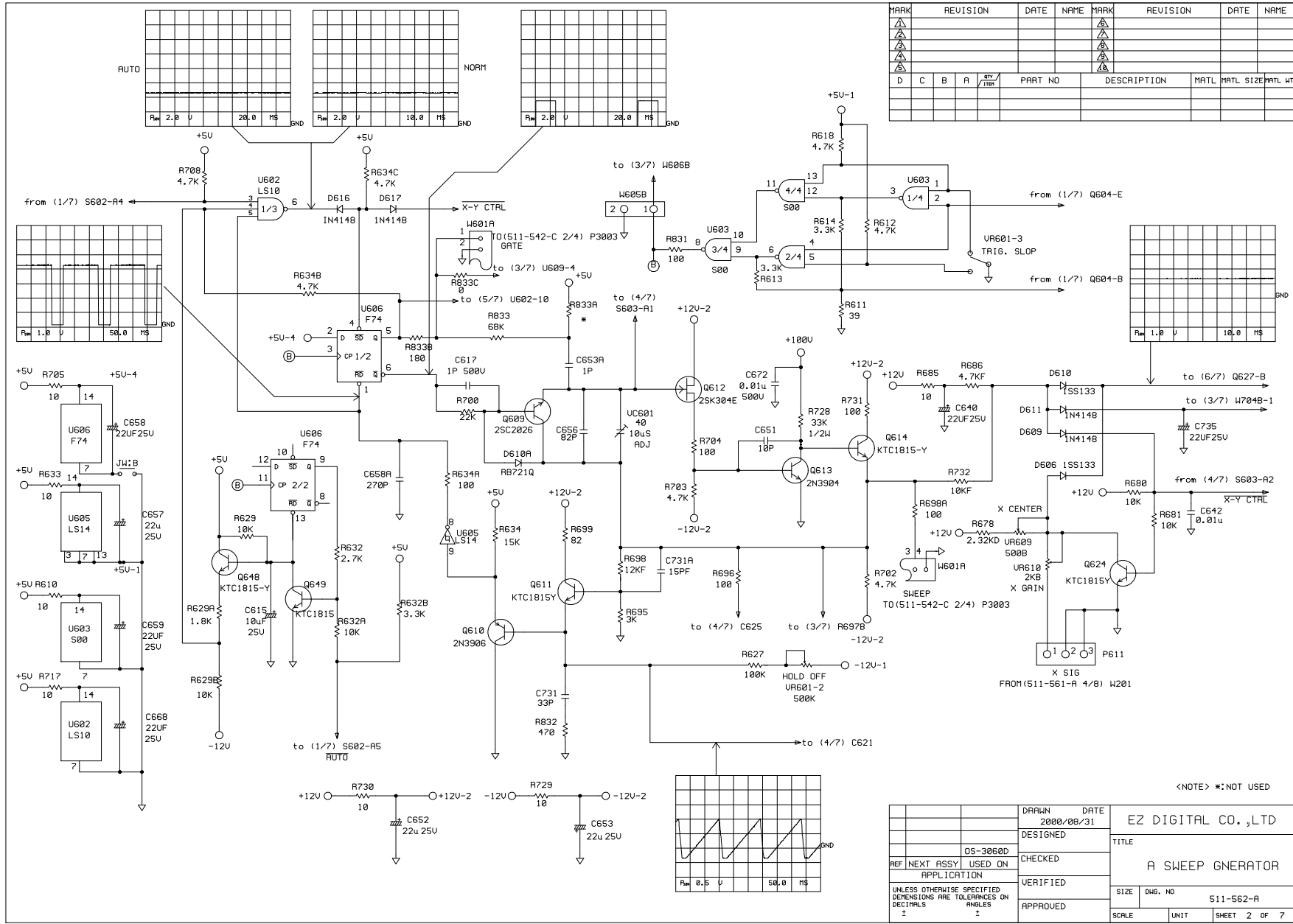
DRAWN	DATE	EZ DIGITAL CO., LTD
	2000/08/31	
DESIGNED		TITLE
OS-3060D	CHECKED	POWER SUPPLY
REF NEXT ASSY	USED ON	
APPLICATION		VERIFIED
UNLESS OTHERWISE SPECIFIED DIMENSIONS ARE TOLERANCES ON DECIMALS		APPROVED
±	±	SIZE
		DWG. NO
		511-561-A
		SCALE
		UNIT
		SHEET 8 OF 8

MARK	REVISION	DATE	NAME	MARK	REVISION	DATE	NAME
△				△			
△				△			
△				△			
△				△			
D	C	B	A	REV	PART NO	DESCRIPTION	MATL



<NOTE> *:NOT USED

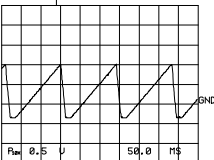
		DRAWN	DATE	EZ DIGITAL CO.,LTD		
			2000/08/31	DESIGNED		
				TITLE		
				TRIG. AMPLIFIER		
				CHECKED		
				APPROVED		
REF	NEXT ASSY	USED	ON	SIZE	DAWG. NO	511-562-A
APPLICATION				SCALE	UNIT	SHEET 1 OF 7
UNLESS OTHERWISE SPECIFIED DIMENSIONS ARE TOLERANCES ON DECIMALS						



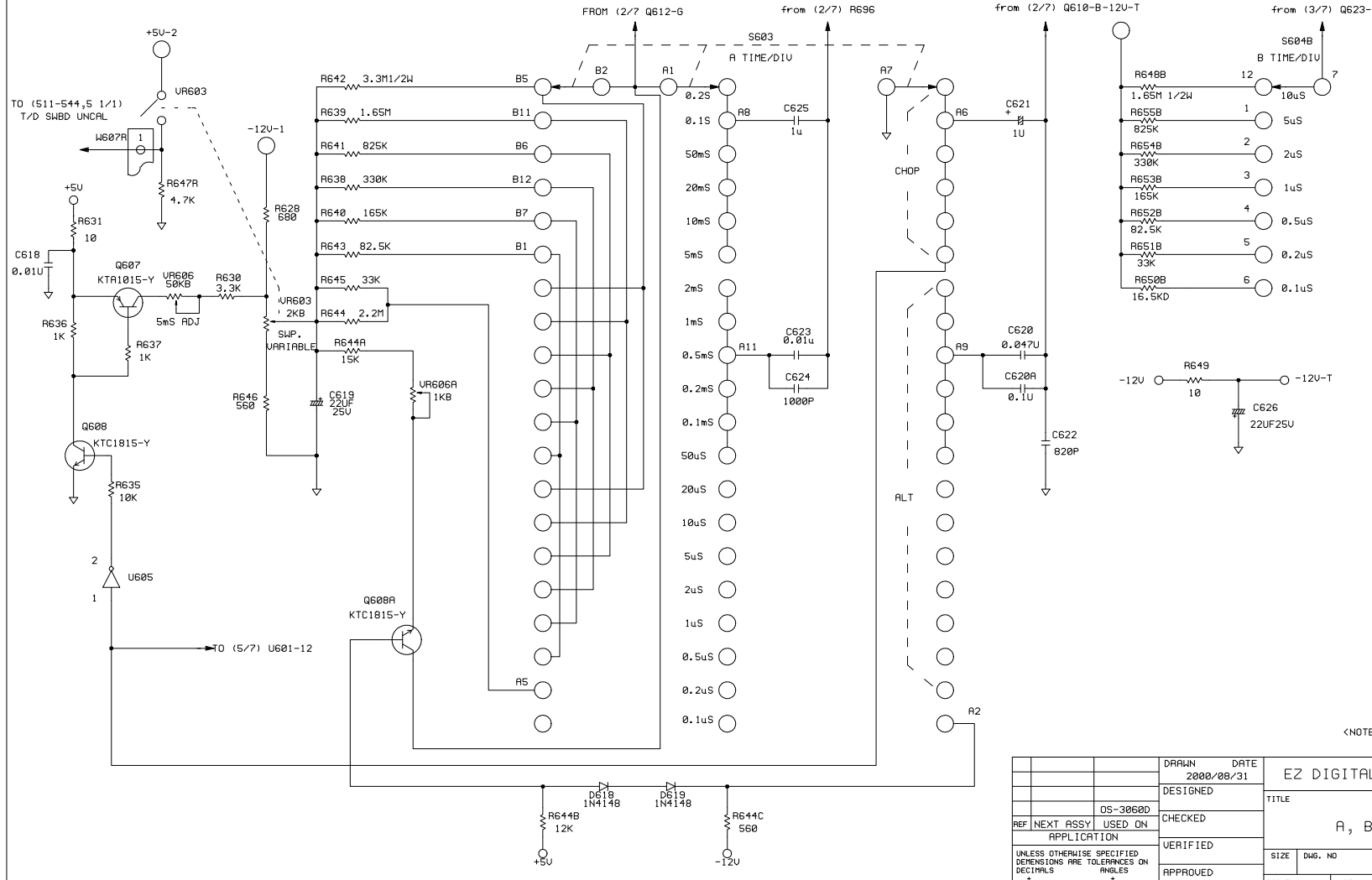
MARK	REVISION	DATE	NAME	MARK	REVISION	DATE	NAME
△				△			
△				△			
△				△			
△				△			
D	C	B	A	REV	PART NO	DESCRIPTION	MATL
							MATL SIZE
							MATL UT

DRAWN		DATE		EZ DIGITAL CO., LTD			
		2000/08/31		TITLE			
DESIGNED				A SWEEP GENERATOR			
REF	NEXT ASSY	USED ON	CHECKED	APPROVED			
APPLICATION				VERIFIED			
UNLESS OTHERWISE SPECIFIED DIMENSIONS ARE TOLERANCES ON DECIMALS				APPROVED			
SIZE	DWG. NO	SHEET		2 OF 7			
	511-562-A						
SCALE	UNIT						

<NOTE> *; NOT USED



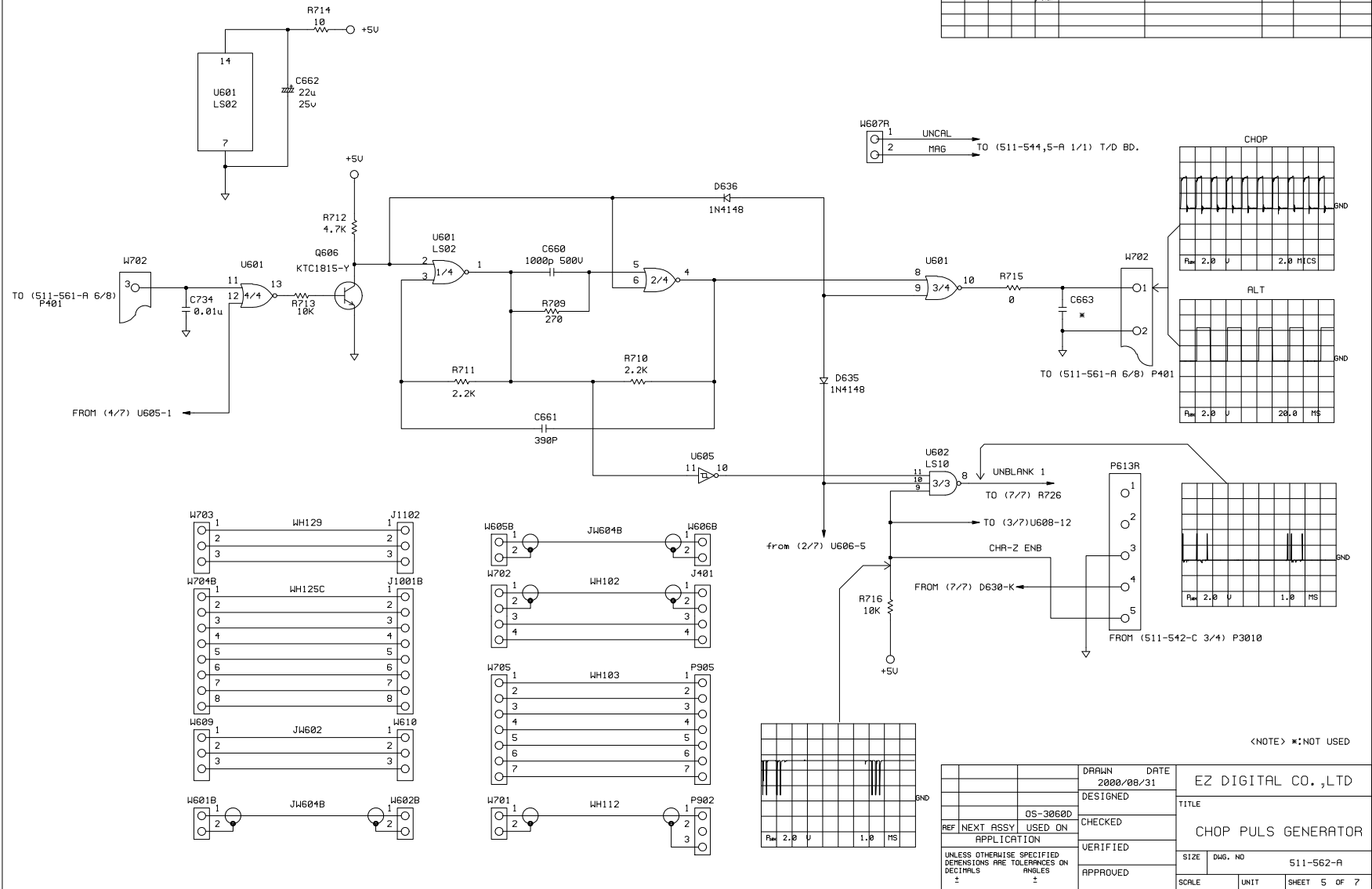
MARK	REVISION	DATE	NAME	MARK	REVISION	DATE	NAME		
△				△					
△				△					
△				△					
△				△					
D	C	B	A	REV	PART NO	DESCRIPTION	MATL	MATL SIZE	MATL WT



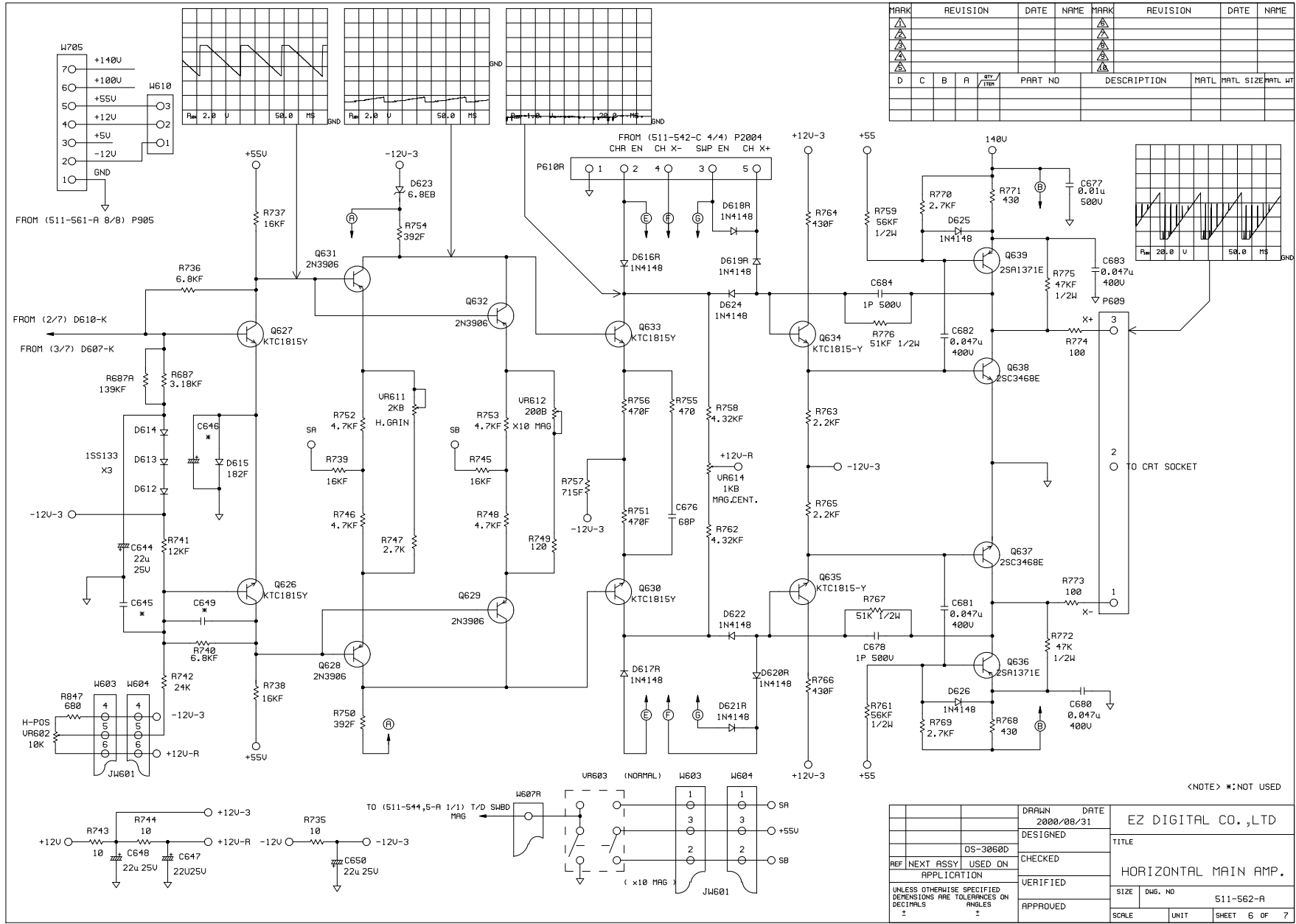
<NOTE> *NOT USED

		DRAWN	DATE	EZ DIGITAL CO.,LTD	
			2000/08/31	TITLE	
		DESIGNED		A, B TIMING	
REF	NEXT ASSY	USED ON	CHECKED	APPLICATION	
			VERIFIED	SIZE	DWG. NO
UNLESS OTHERWISE SPECIFIED DIMENSIONS ARE TOLERANCES ON DECIMALS			APPROVED	SCALE	UNIT
					SHEET 4 OF 7

MARK	REVISION	DATE	NAME	MARK	REVISION	DATE	NAME
△				△			
△				△			
△				△			
△				△			
△				△			
D	C	B	A	REV	PART NO	DESCRIPTION	MATL



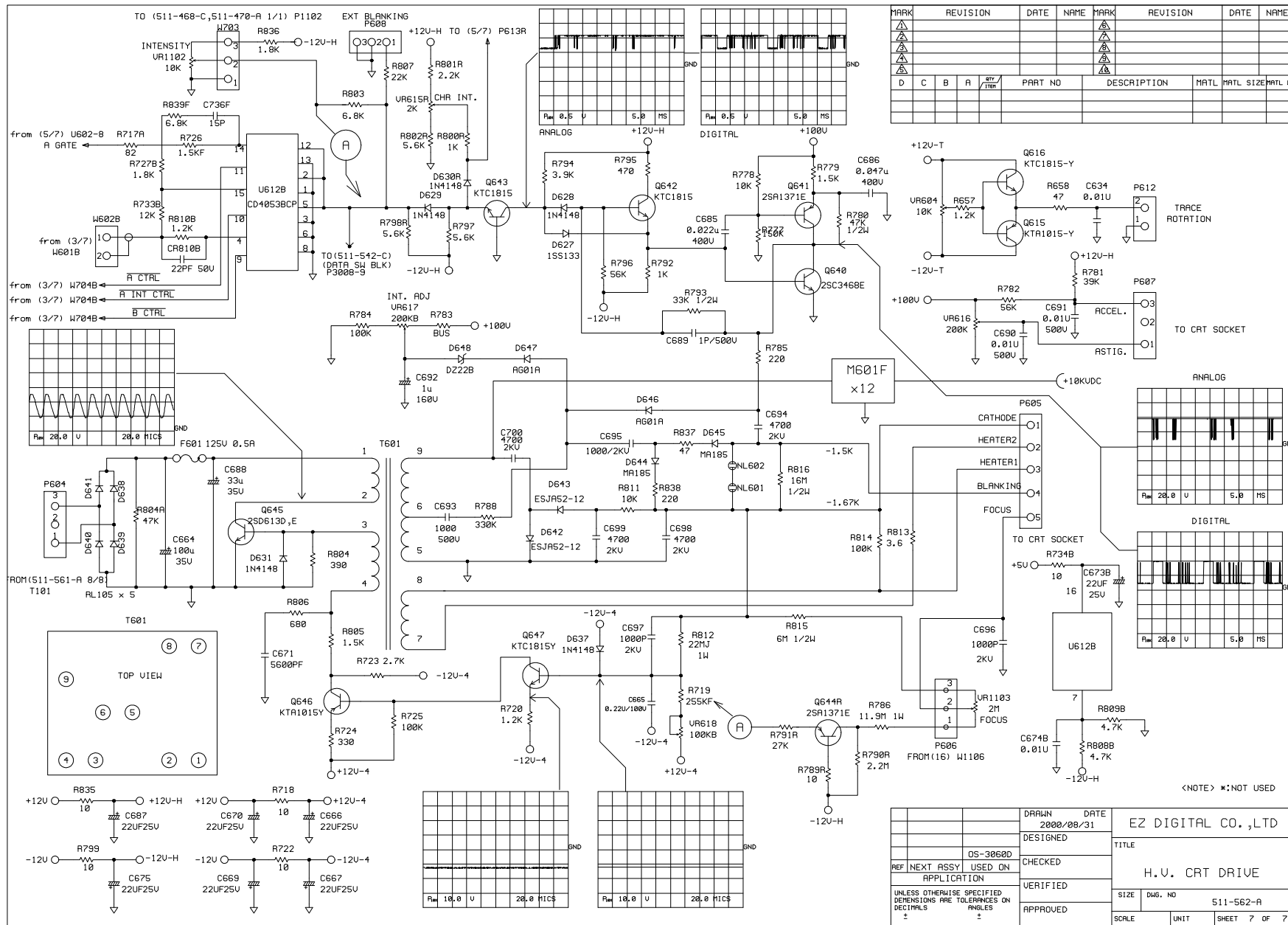
DRAWN		DATE		EZ DIGITAL CO., LTD	
		2000/08/31		TITLE	
DESIGNED		CHECKED		CHOP PULS GENERATOR	
REF NEXT ASSY		USED ON		SIZE	
APPLICATION		VERIFIED		Dwg. NO	
UNLESS OTHERWISE SPECIFIED DIMENSIONS ARE TOLERANCES ON DECIMALS		APPROVED		511-562-A	
				SCALE	
				UNIT	
				SHEET 5 OF 7	



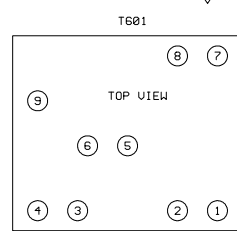
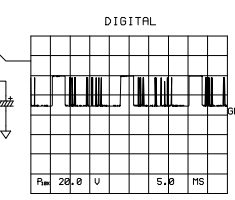
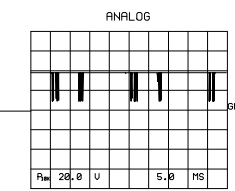
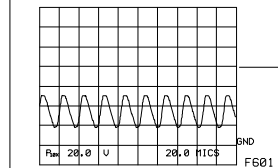
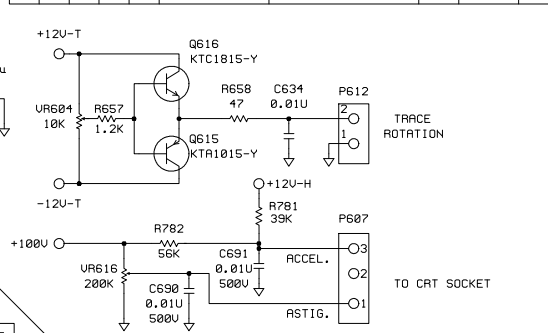
MARK	REVISION	DATE	NAME	MARK	REVISION	DATE	NAME
△				△			
△				△			
△				△			
△				△			
△				△			
D	C	B	A	REV	PART NO	DESCRIPTION	MATL

DRAWN		DATE		EZ DIGITAL CO., LTD	
		2000/08/31		TITLE	
DESIGNED				HORIZONTAL MAIN AMP.	
REF	NEXT ASSY	USED ON	CHECKED	SIZE	
APPLICATION		VERIFIED		DWG. NO	
UNLESS OTHERWISE SPECIFIED DIMENSIONS ARE TOLERANCES ON DECIMALS		APPROVED		S11-562-A	
				SCALE	SHEET 6 OF 7

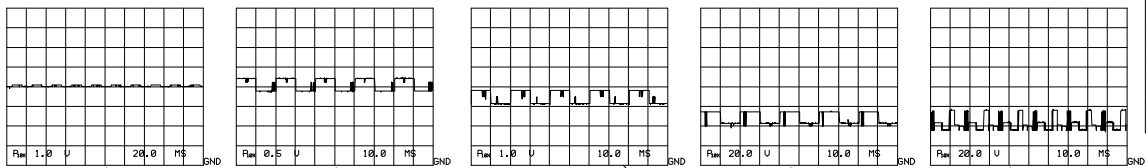
<NOTE> *; NOT USED



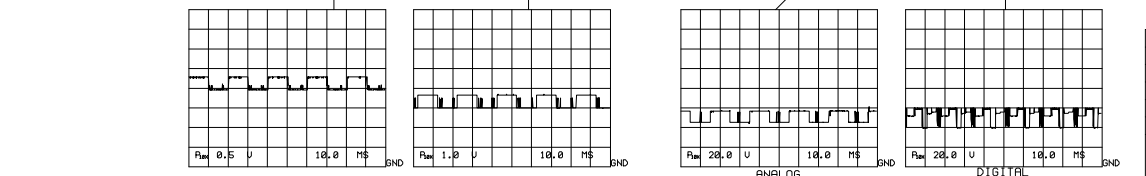
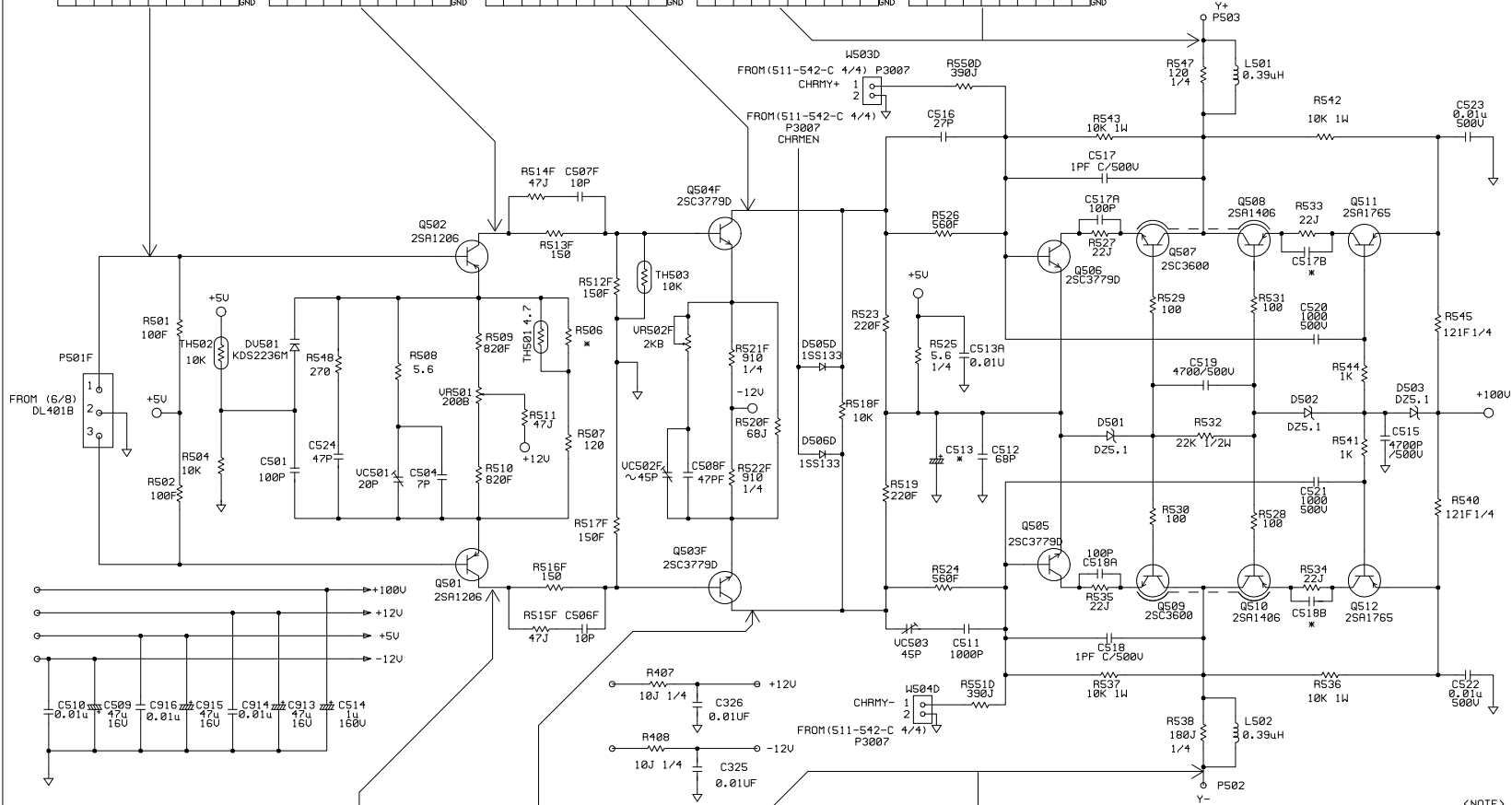
MARK	REVISION	DATE	NAME	MARK	REVISION	DATE	NAME		
Δ				Δ					
Δ				Δ					
Δ				Δ					
D	C	B	A	REV	PART NO	DESCRIPTION	MATL	MATL SIZE	MATL UT



DRAWN	DATE	EZ DIGITAL CO., LTD				
2000/08/31						
DESIGNED	TITLE					
OS-3060D						
CHECKED	APPLICATION	H.U. CRT DRIVE				
USED ON	VERIFIED	SIZE	DWG. NO	SHEET		
REF NEXT ASSY	APPROVED	UNLESS OTHERWISE SPECIFIED	DEVISIONS ARE TOLERANCES ON	DECIMALS		



MARK	REVISION	DATE	NAME	MARK	REVISION	DATE	NAME
▲				▲			
▲				▲			
▲				▲			
▲				▲			
D	C	B	A	REV	PART NO	DESCRIPTION	MATL
				1/1			



<NOTE> *:NOT USED

	DRAWN	DATE	EZ DIGITAL CO., LTD	
	DESIGNED	2000/08/31	TITLE	
	OS-3060D		VERTICAL MAIN AMP	
REF	NEXT ASSY	USED ON	SIZE	DWG. NO
				S11-561-A
	APPLICATION	VERIFIED	SCALE	UNIT
UNLESS OTHERWISE SPECIFIED DIMENSIONS ARE TOLERANCES ON DECIMALS		APPROVED		SHEET 7 OF 8